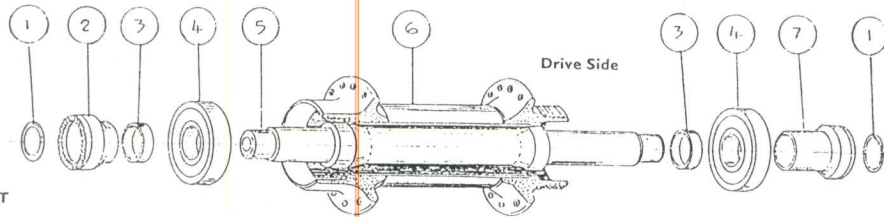


# HOPE TECHNOLOGY

## SCREW-ON REAR HUB 7/8 SPEED



### PARTS LIST

Item	Description	Qty.
1.	'O' Ring	2 off
2.	Spacer (15mm long)	1 off
3.	" ( 5mm long)	2 off
4.	Bearing 6001 2RS	2 off
5.	Spindle	1 off
6.	Hub Body	1 off
7.	Spacer (28.5mm long)	1 off

Fig 1. Shows hub built to suit 7 speed freewheel  
Spacers (item 3) are on left side of bearings (item 4).

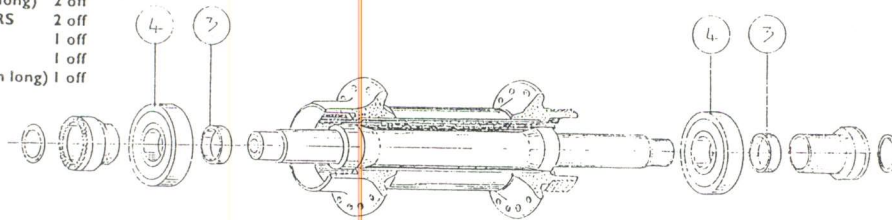


Fig 2. Shows hub built to suit 8 speed freewheel  
Spacers (item 3) are on right side of bearings (item 4).

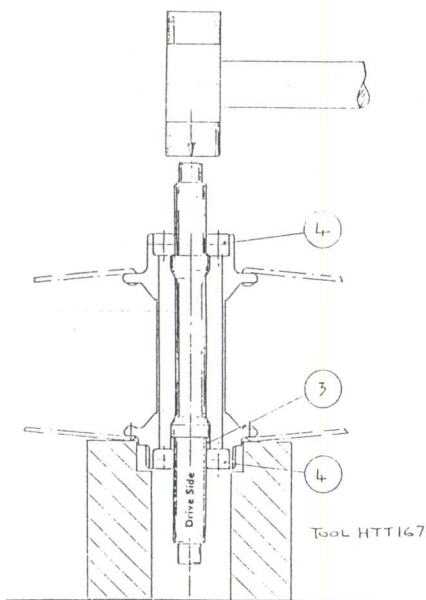


FIG 3

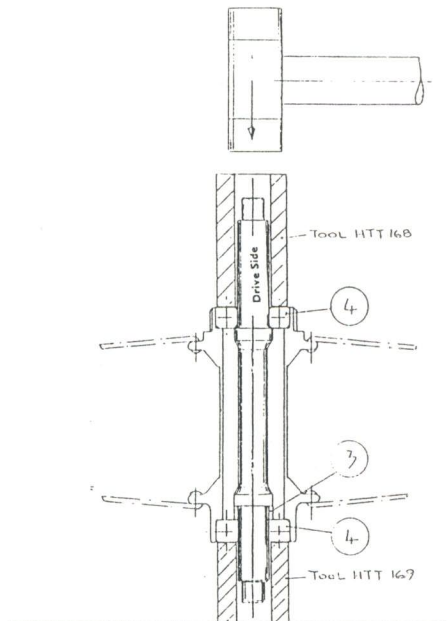


FIG 4