

**THIS KIT FITS THE FOLLOWING
BOTTOM BRACKETS:**

STAINLESS 68/73mm - 30mm
BBSS30

STAINLESS PF46 68mm - 30mm
BBPF466830SSN

STAINLESS PF46 73mm - 30mm
BBPF467330SSN

STAINLESS PF46 83mm - 30mm
BBPF468330SSN

STAINLESS T47 68/73mm - 30mm
BBT476830SSN

BOX CONTENTS:

- 29mm BB Shim - BSA PF46 - 2.25mm x 2
BB016-01
- 29mm BB Spacer - 2mm x 1 (MTB Crankset)
BB016-05
- 29mm BB Spacer - 1mm x 1 (Road Crankset)
BB016-07

hope

29mm BB CONVERSION_KIT 001

HOPE TECHNOLOGY
(IPCO) Limited

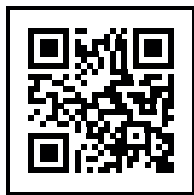
Hope Mill, Calf Hall Road
Barnoldswick, Lancashire
BB18 5PX, United Kingdom

T: 01282 851400 E: info@hopetech.com W: hopetech.com

INST031_EN: Instruction - 29mm BB Conversion Kit 1 - V1

REMOVE CURRENT SHIMS AND
REPLACE WITH SHIMS FROM THIS KIT

TO FIT STAINLESS 68/73mm - 30mm BBSS30
ASSEMBLE AS SHOWN!

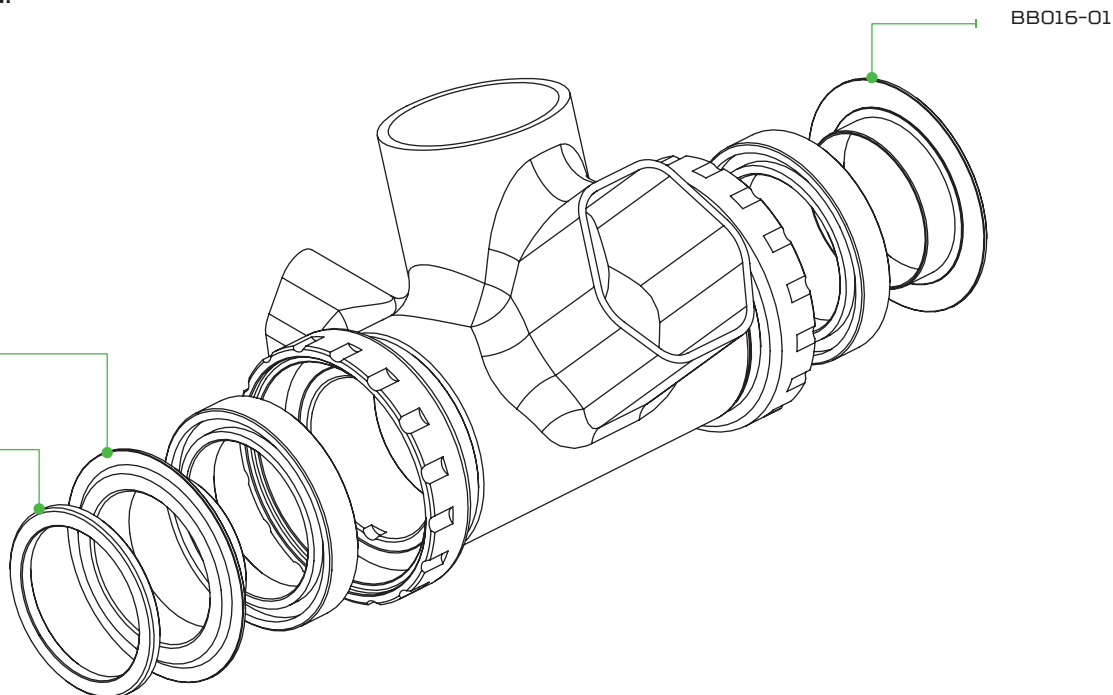


Traduction Française
Deutsche Übersetzung

BB016-01

BB016-05 (MTB)

BB016-07 (Road)



DRIVE SIDE

NON-DRIVE SIDE

hope | BB

HOPETECH.COM

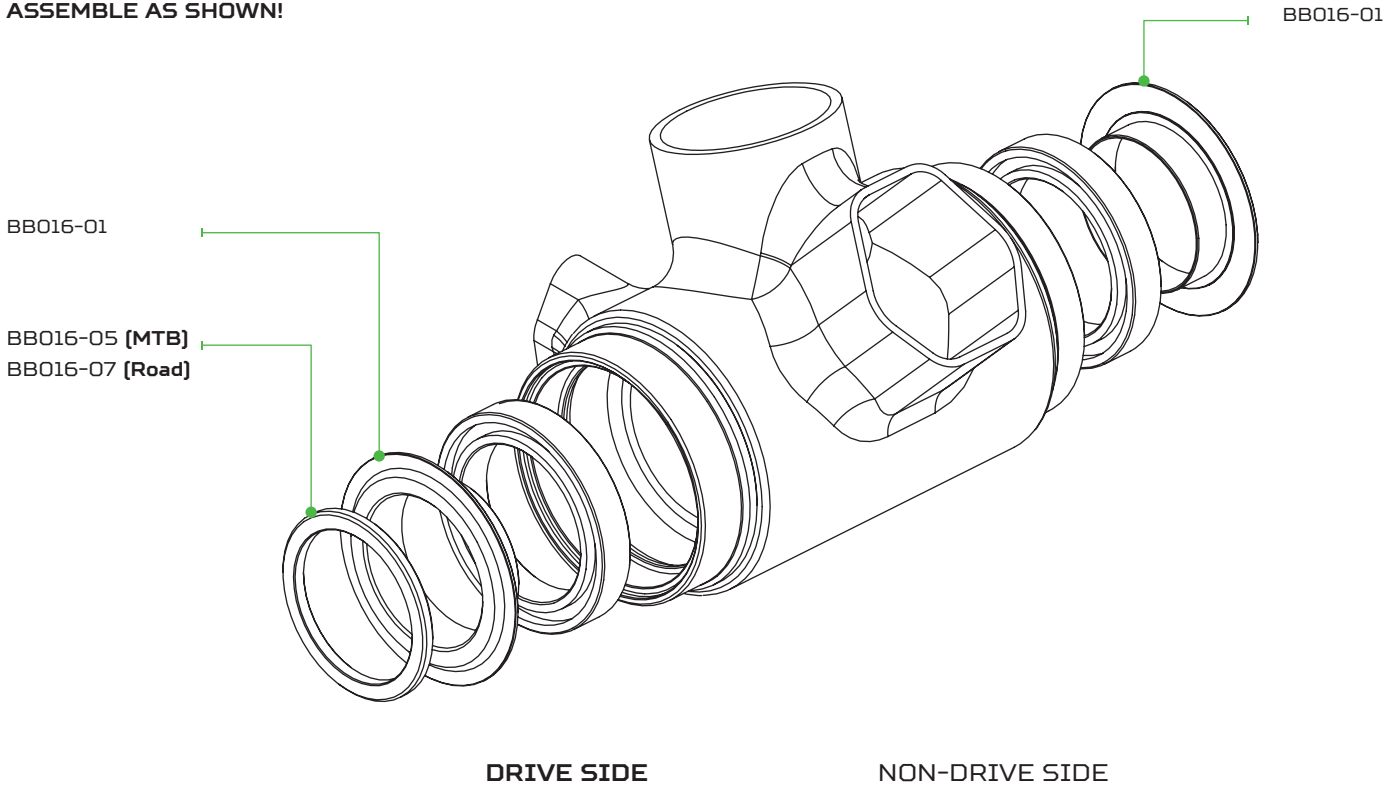
! REMOVE CURRENT SHIMS AND
REPLACE WITH SHIM FROM THIS KIT

TO FIT STAINLESS PF46 68mm - 30mm **BBPF46683055N** (Road)

STAINLESS PF46 73mm - 30mm **BBPF46733055N** (MTB)

STAINLESS PF46 83mm - 30mm **BBPF46833055N** (MTB)

ASSEMBLE AS SHOWN!



! REMOVE CURRENT SHIMS AND
REPLACE WITH SHIM FROM THIS KIT

TO FIT STAINLESS T47 68/73mm - 30mm **BBT47683055N**

ASSEMBLE AS SHOWN!

