

WARRANTY

All Hope Technology components are covered for two years from original date of purchase against manufacturer defects in material and workmanship. Proof of purchase is required. Products must be returned to the original place of purchase or to Hope Technology to process any warranty claims. Please print and fill in the applicable returns form found on the 'Tech Support' section of our website should you wish to send a product back. This warranty does not cover any damage caused through misuse or failing to comply by the recommendations in this manual. This warranty does not affect your statutory rights.

HOPE TECHNOLOGY

Hope Mill,
Calf Hall Road,
Barnoldswick,
Lancashire
BB18 5PX,
United Kingdom

HEAD OFFICE

+44 (0)1282 851200
info@hopetech.com

SALES ENQUIRES

+44 (0)1282 851200
info@hopetech.com

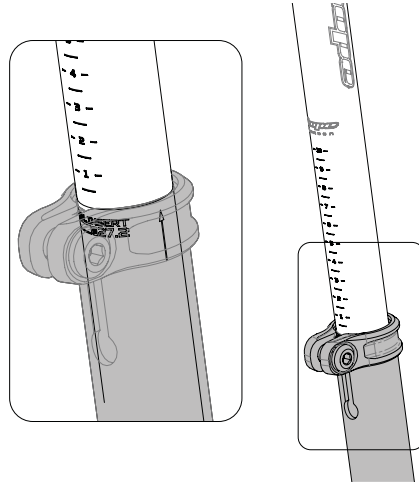
TECHNICAL

+44 (0)1282 818413
service@hopetech.com

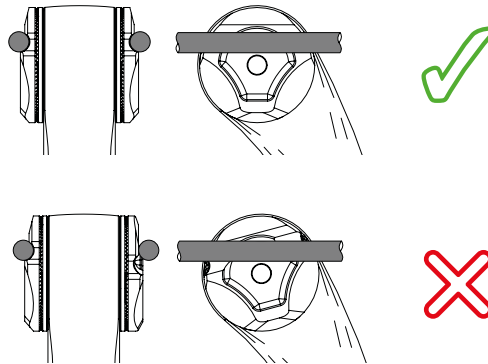


DESIGNED, TESTED AND
MANUFACTURED
• IN BARNOLDSWICK, UK •

USAGE GUIDELINES



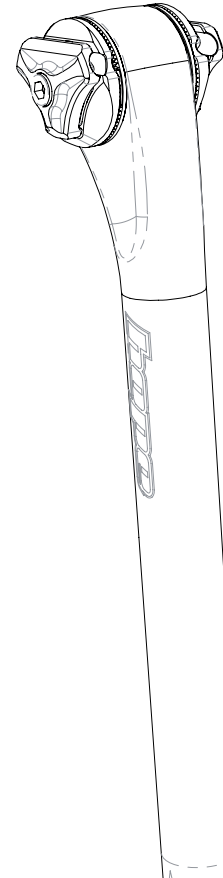
Always observe the minimum insert depth on the height scale at the rear of the seatpost tube. Using the seatpost with less than 80mm within the seat tube of the frame can result in damage to your frame.



Always check for symmetrical alignment of the two inner seat rail clamps to ensure both seat rails locate correctly within the grooves. Failure to fit the seat rails correctly can lead to the saddle becoming loose, resulting in serious injury.

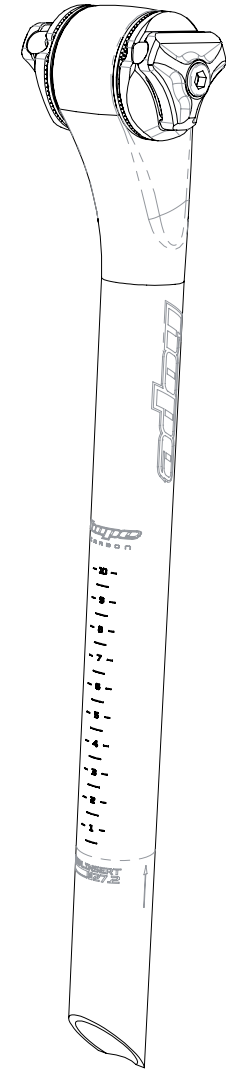
SPECIFICATION

- 100% designed, tested and manufactured in Barnoldswick, UK.
- High strength carbon fibre construction with aircraft grade aluminium seat rail clamps.
- Smooth internal surface finish removes any unnecessary resin rich areas to minimise weight.
- Varying wall sections to optimise weight and areas of high stress concentrations.
- Same ultra-fine seat rail adjustment as tried and proven on our previous 'Eternity Seatpost'.
- Available in:
 - $\phi 27.2\text{mm} \times 350\text{mm}$, $\phi 30.9\text{mm} \times 400\text{mm}$ and $\phi 31.6\text{mm} \times 400\text{mm}$
- Weights from 195 grams ($\phi 27.2\text{mm}$ version).



hope

C A R B O N



SEATPOST
INSTALLATION GUIDE

HOPETECH.COM // f i t v

INTRODUCTION

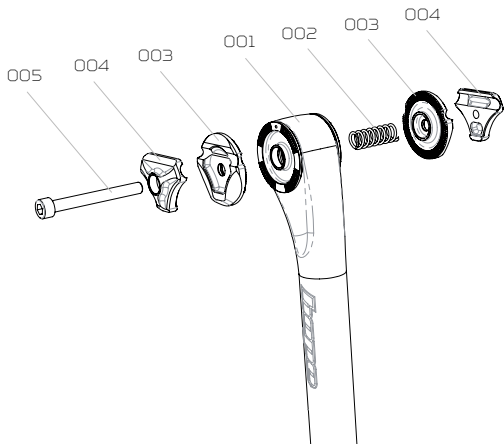
Thank you for purchasing Hope's initial Carbon Fibre product. We have been developing our knowledge of carbon fibre for several years with help from some of the finest engineers in the UK.

Each seat-post employs 24 individual 'plies' of carbon, pre-impregnated with a highly toughened epoxy resin system, designed to ensure a safe and rugged unit.

The bulk of the laminate comprises Unidirectional T700 fibre - the highest strength Standard Modulus fibre available. (Unidirectional fibres provide the maximum tensile strength and stiffness with minimum weight.)

This is combined with strategically positioned plies of 3K twill woven fabric, adding hoop strength to resist clamping forces and mitigating failure mode in the event of serious crash damage.

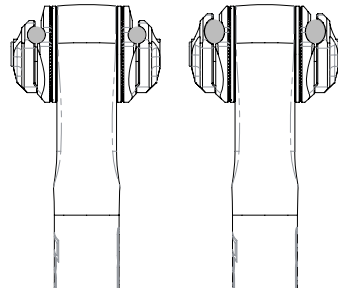
The 1K 2x2 twill weave fabric outer ply, also contributes in this respect together with a super smooth finish and striking visual aesthetic.



SEATPOST ASSEMBLY

- 001_Seatpost stanchion
- 002_Compression spring
- 003_Serrated seat rail plate (x2)
- 004_Outer seat rail clamp (x2)
- 005_M6 x 55mm bolt

CIRCULAR ELLIPTICAL Seat Rails Seat Rails



HSP001CN Ø27.2mm x 350mm
Circular seat rails

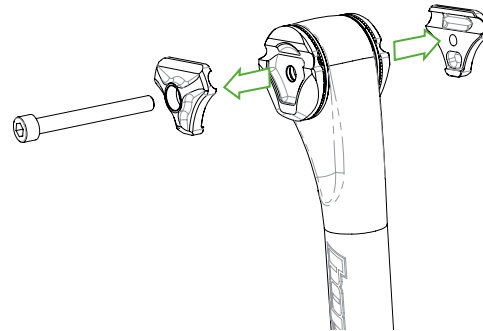
HSP002CN Ø30.9mm x 400mm
Circular seat rails

HSP003CN Ø31.6mm x 400mm
Circular seat rails

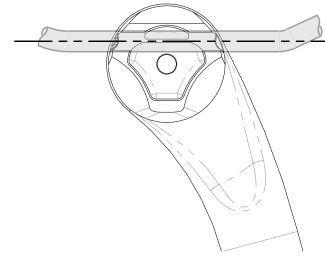
.....
HSP001EN Ø27.2mm x 350mm
Elliptical carbon seat rails

HSP002EN Ø30.9mm x 400mm
Elliptical carbon seat rails

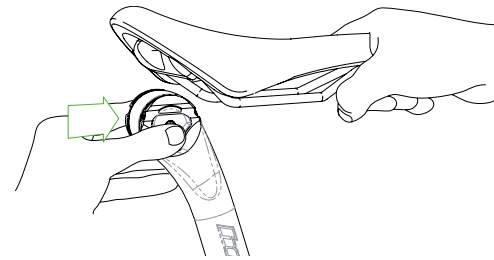
HSP003EN Ø31.6mm x 400mm
Elliptical carbon seat rails



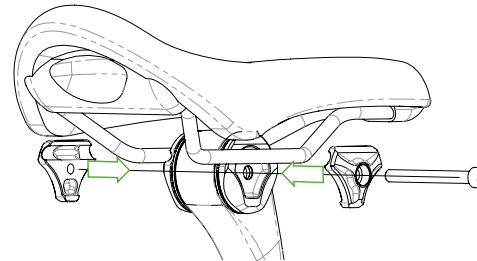
001_To begin the installation, remove the two outer seat rail clamps by unscrewing the M6 bolt on the seatpost head. Hold the two inner seat rail clamps in position.



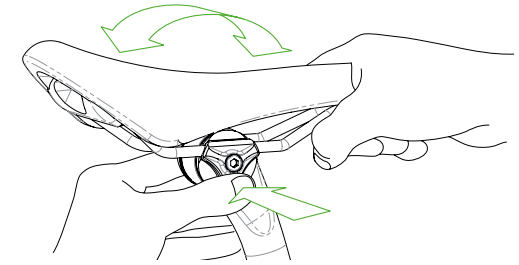
002_Before attempting to fit the saddle, ensure the inner seat rail clamps are both aligned symmetrically so that the seat rails will run parallel with each other when located within the channels.



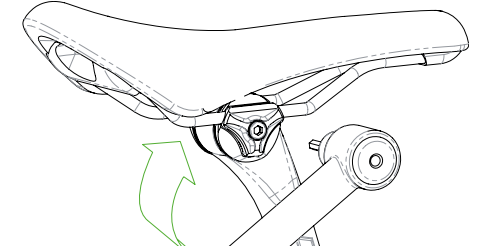
003_Slide the seatpost head between the seat rails from the rear-side of the saddle, making sure the front side of the seatpost faces the nose of the saddle. While doing so, squeeze the two inner seat rail clamps together to compress the spring.



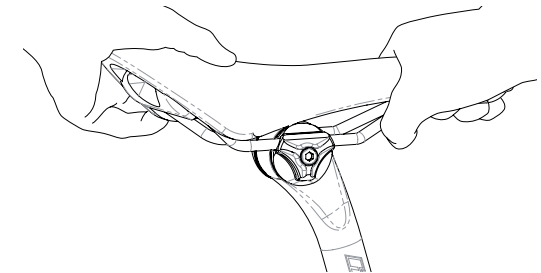
004_Locate the two outer seat rail clamps in position by aligning the channels with the seat rails and secure in place using the M6 bolt. At this stage only fasten the bolt finger tight to allow for adjustment of the seat position and angle.



005 Adjust the seat angle by moving the nose of the saddle up or down whilst lightly squeezing the bottom of the outer seat rail clamps. This allows the inner seat rail clamps to rotate more freely over the serrations.



006_Once you are happy with the position and angle of your saddle, use a 5mm hex key torque wrench to tighten the M6 bolt to 10Nm. Your seatpost is now ready for use.



007_Prior to first use, grip the nose and rear of the saddle using both hands and firmly rock the saddle back and forth to ensure the outer seat rail clamps are securely located within the serrations. If there is any movement, re-torque the M6 bolt.