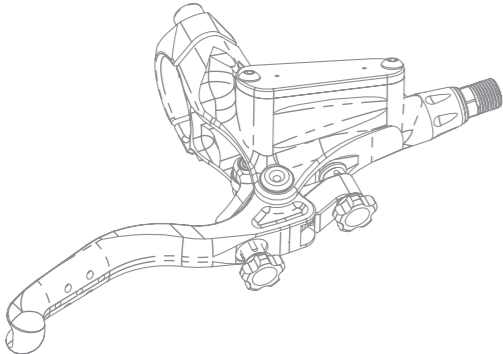
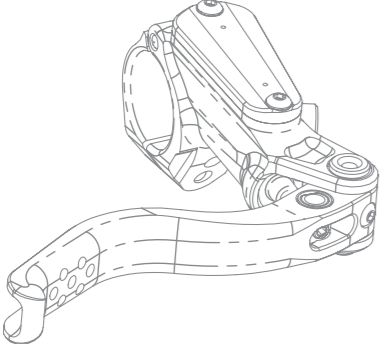




# DIRECT SHIFTER MOUNT SELECTION CHART



**TECH 3**  
Master Cylinder



**XCR**  
Master Cylinder

**SRAM Shifters**  
All removable Clamp types



**Shifter Mount part number**  
HBSP 325 - RH/LH



**Shimano Shifters**  
I-Spec A & I-Spec B



I\_Spec A with hook




I\_Spec B without hook

**No special Shifter Mount required**  
The Shimano shifter will mount directly on to TECH 3 and XCR Master Cylinder



**NOTE:** For **TECH3** Master Cylinder produced before March 2019, use M5 x 16 cap screw and HBSP 322 square nut.

**Shimano Shifters**  
I-Spec II & I-Spec EV




**Shifter Mount part number**  
HBSP 385 - RH/LH



EXAMPLE: SL-M9000-I, SL-M8000-I, SL-9100-I, SLM8100-I, SL-M7100-I