



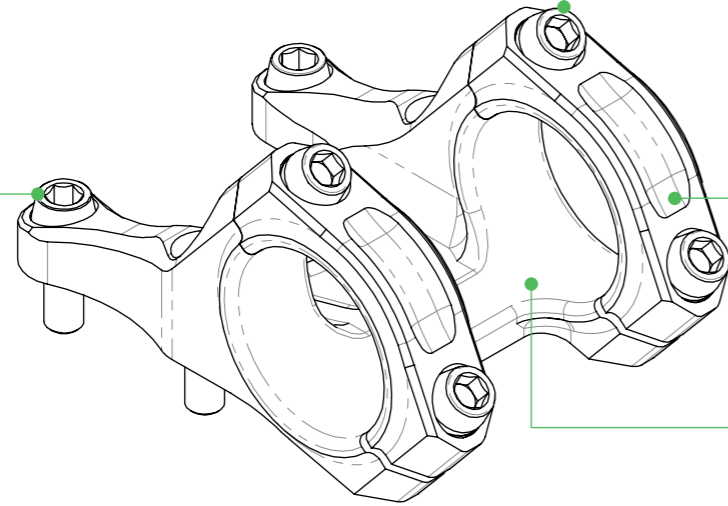
GRAVITY DIRECT MOUNT STEM OVERVIEW

DIRECT MOUNT:

50mm Reach. Ø31.8mm Bar

Tapered Head
Cap Screw
M6x25 [x4]

Tapered Head
Cap Screw
M6x18 [x4]



Ø31.8 Front
Clamp x2
STSP027

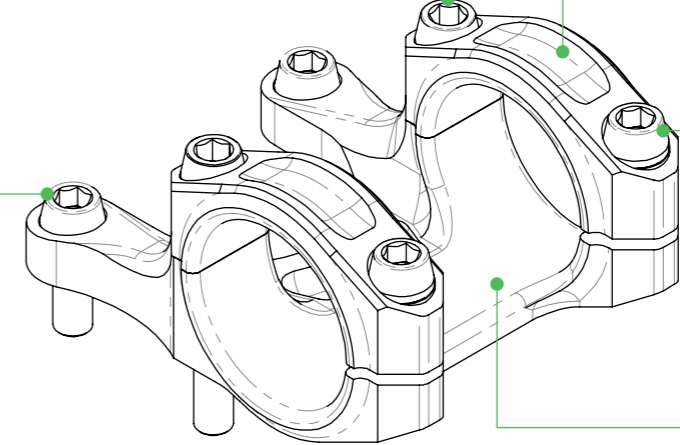
50mm Ø31.8
DM Stem
STSP026

DIRECT MOUNT:

40mm Reach. Ø31.8mm Bar

Tapered Head
Cap Screw
M6x45 [x2]

Tapered Head
Cap Screw
M6x18 [x2]



Ø31.8 Front
Clamp x2
STSP027

Tapered Head
Cap Screw
M6x25 [x2]

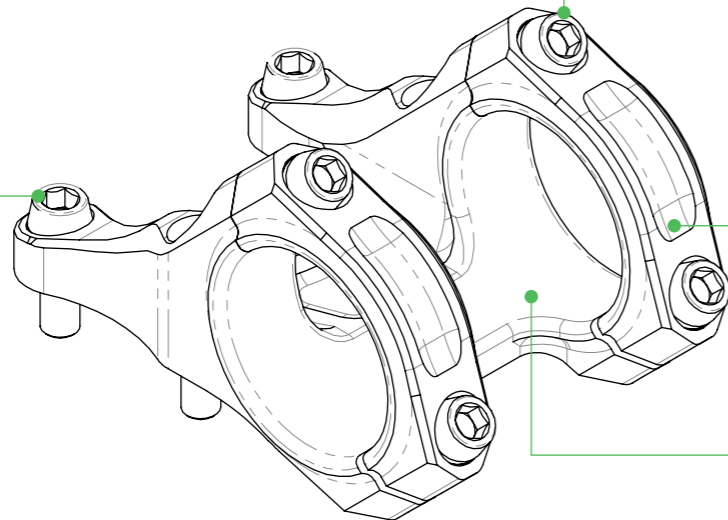
40mm Ø31.8
DM Stem
STSP025

DIRECT MOUNT:

50mm Reach. Ø35mm Bar

Tapered Head
Cap Screw
M6x25 [x4]

Tapered Head
Cap Screw
M6x18 [x4]



Ø35 Front
Clamp x2
STSP041

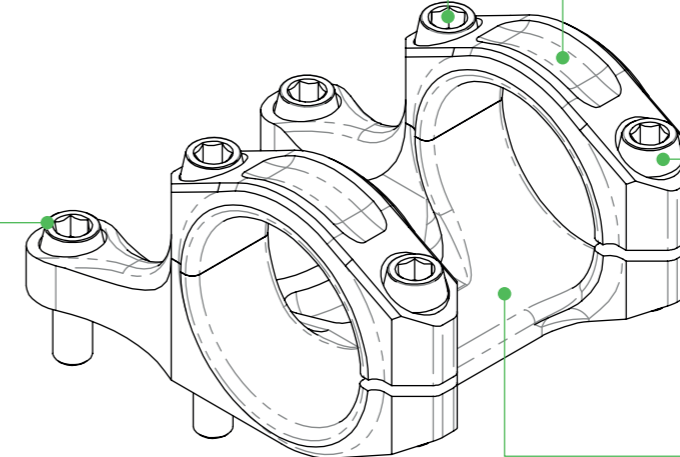
50mm Ø35
DM Stem
STSP040

DIRECT MOUNT:

41.5mm Reach. Ø35mm Bar

Tapered Head
Cap Screw
M6x45 [x2]

Tapered Head
Cap Screw
M6x18 [x2]



Ø35 Front
Clamp x2
STSP041

Tapered Head
Cap Screw
M6x25 [x2]

41.5mm Ø35
DM Stem
STSP039